



IDC Pro

Interactive Post-Mix Ice Drink Dispenser

Specification Sheet



Revolutionary Interactive Platform

Fun and easy new scrolling interface for brand selection

Contemporary design

Large Digital Merchandising & Promotional Space

20 brands **(10 per side)**
8 Flavors **(4 per side)**

Easy-to-Clean Splash Panel

Standard BIB syrup

Dual Pivot Door



- Dual Dispense Nozzle
- Integrated Ice Maker Kit
- On-Board Diagnostic Service
- Dual-Touch Screen and User Interface
- IDC Platform Cold Carb
- Multi-Flavor Valves
- Lighting for targeting drink into cup
- ADA Compliant

Features

NEW! Tap and scroll interface to make your selections Choices

Interactive Dispense - Up to 20 brands (10 on each side 7 chilled and 3 ambient) and up to 8 flavor shots (4 per side), over 3,260 drink combinations

Merchandising

Commercial-grade HD promotional display 32" diagonal customizable video merchandiser delivers unique marketing message

Dispense Points

Dual touch screen/dual nozzle for simultaneous brand and flavor dispense

Dual Pivot Door

(Zero clearance)- Ease of service and maintenance when units are side-by-side

Large Ice Capacity

255 lb. ice capacity

Universal Adapter Kit

No adapter kit required for standard ice makers 22"W x 24"D or 30"W x 24"D

Durable

One-piece ABS thermoformed plastic (Durabide™ design) provides durability and ensures all ice in hopper is dispensable

Flexible

Can dispense cubed or chewable soft ice

Ease of Use

Modular design allows for easy component access from the front of the unit

Easy to Clean

Polycarbonate material, merchandising, and lower panel. Scratch resistant.

ADA Compliant

Meets ADA requirements on a 34" counter

Flavor Shot

Blends with drink or top off for extra flavor



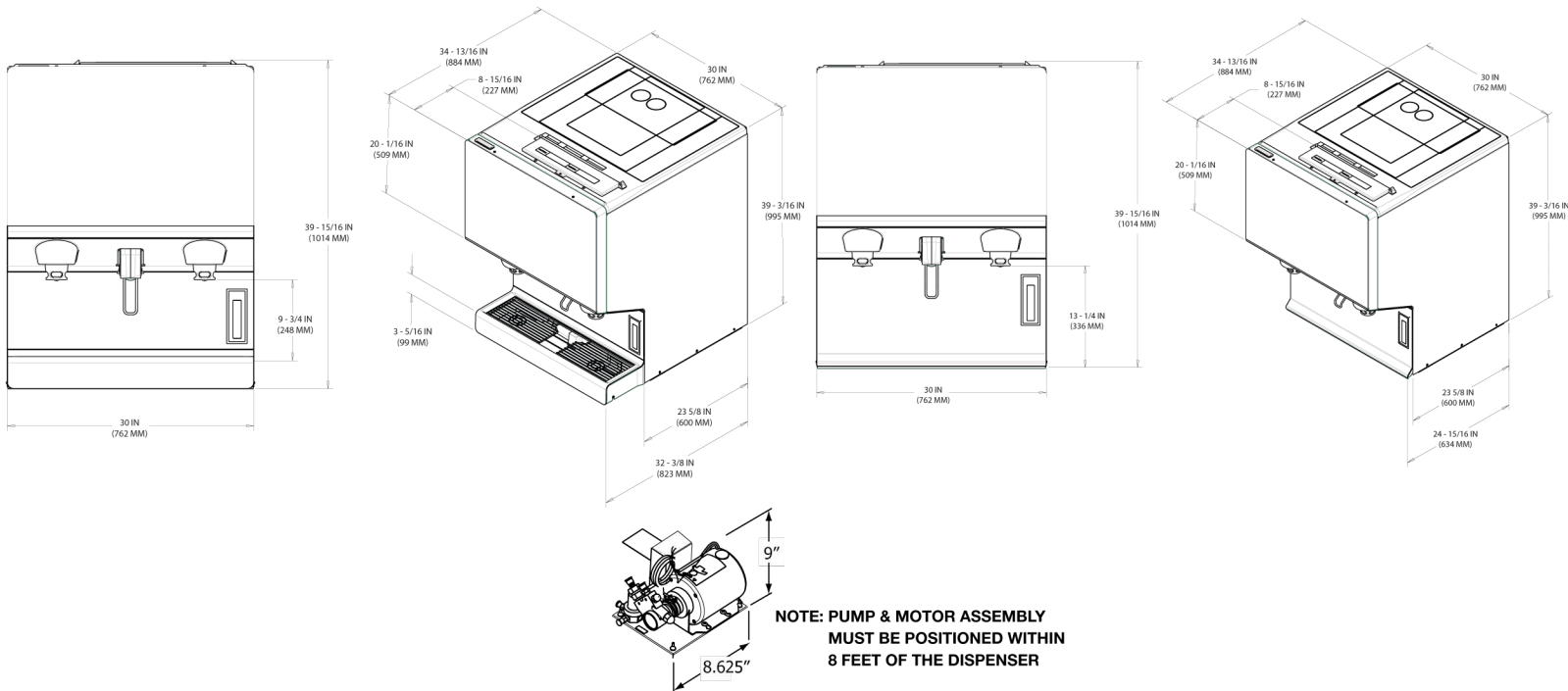
IDC Pro Interactive Post-Mix Ice Drink Dispenser

Specification Sheet



IDC Pro with Drip Tray

IDC Pro without Drip Tray





Part Number	Description
621058647	IDC Pro (with drip tray) 20 brands (10 per side) 8 flavor shots (4 per side)
621058648	IDC Pro Z-Style (without drip tray) 20 brands (10 per side) 8 flavor shots (4 per side)

Units come standard with universal adapter kit. No adapter required for standard ice makers 22"W x 24" D or 30"W x 24"D. For ice makers of a different size, contact Customer Care.

Technical Specifications

Dimensions	39 3/16"H X 30"W X 34 1/2"D
Screen Dimensions	32" Diagonally
Video Format	MP4 (H.264) (1920x800)
Video Max Size	2GB
Still Images	.jpg or .png (1920x800)
Brand Image Format	.png (175x175 pixels)
Flavor Shot Image Format	.png (225x225 pixels)
Counter Weight	440 lb (plus ice weight)
Shipping Weight	545 lb
Capacity	255 lb ice bin capacity for cubed & chunklet (compressed) ice
Amp Draw	120 V / 60 Hz / 8.5 Amps
Electrical Rating	115 V +/- 10% (only requires single outlet)
Water Supply Pressure	50-60 psi at pump

CO₂	75 psi at carbonator tank
Standard Features	Timed agitation, electronic beverage keyswitch and 4" legs
20 Brand Syrups: (14 Chilled / 6 Ambient)	60 psi/min
8 Flavor Shot Syrups: (Ambient)	20-25 psi/max
Valve	20 Touch Screen Brands(10/Nozzle) 8 Touch Screen Flavor Shots (4 Per Nozzle) Electronic TotalFlex
Flow Rate For Brands	3oz./sec valves
Cup Clearance	9.75"
Agency Listings	  City of Los Angeles

To learn more about the **Cornelius IDC PRO Dispenser**, visit cornelius.com